

Indoor IR Dome, 700TVL, WDR, 24IR(80ft), True D&N(ICR), Sense-up, 2.8~12mm

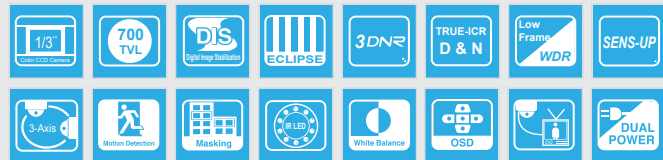
DHR-V955

Aurora 2B

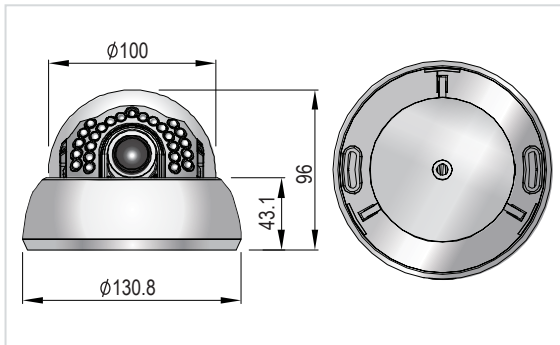


Features

- Aurora 2B DSP
- WDR(Low frame WDR)
- 700 TV-Line : Color, 750 TV-Line : B/W
- DIS, 3D-DNR, Sense-up(x256)
- OSD, LSD, HLC, Motion Detection, Privacy Zone
- 25M(80ft) range with Dynamic 24pcs of IR LEDs
- IR LED output level controllable via OSD
- True Day&Night (ICR)
- 2.8mm~12mm IR Varifocal Lens
- Multi-language Full OSD support
- 2nd Video connector for Installation
- DC12V/AC24V Dual Voltage
- Available in Black/White



Dimensions



Accessories



MODEL	DHR-V955
VIDEO	
Image Sensor	1/3" Sony Super HAD II
Total Pixels	811(H) x 508(V)
Effective Pixels	768(H) x 494(V)
Scanning System	2:1 Interlace 525 Lines / 60 Fields / 30 Frames
Synchronization	Internal / Line lock
Scanning Frequency	Horizontal: 15,734KHz / Vertical: 59.94Hz
Horizontal Resolution	700TV lines (Color) / 750TV lines (B/W)
Min. Illumination	0.01 Lux(F1.2) / 0.0 Lux(IR on)
S/N Ratio (Y signal)	52dB (AGC off, Weight on)
Video Output	1.0Vp-p / 75Ω(Video 0.714Vp-p, Sync 0.286Vp-p)
LENS	
Focal Length	2.8 ~ 12.0mm (F1.2) IR, DC Auto Iris
Angle Field of View (H)	81.2° ~ 22.2°
OPERATION	
OSD	Multi-language support
Camera Title	On / Off
Day & Night	True D/N ; Auto / Color / BW / Ext
ICR (IR Cut Filter Removable)	YES
WDR(Wide Dynamic Range)	Low Frame ; On / Off / Auto(WDR lever, Weight)
Digital Zoom	On / Off selectable (1.0X ~ 10X)
Back Light Compensation	BLC, LWDR, HLC(ON/OFF)
Gain Control	Low / High / Off
White Balance	ATW(2,500°K ~ 9,500 K°)/MANUAL/AWC
Electronic Shutter Speed	Auto / Normal (1/60 ~ 1/100,000) / Flickerless
Sense-up (Frame Integration)	On / Off (2X ~ 256X)
RS-485 interface	PELCO-D, PELCO-P protocol support
Super DNR	3D-DNR Low / Middle / High / Off selectable
Digital Image Stabilizer (DIS)	On / Off
Motion Detection	ON/OFF(240 Block)
Privacy Masking	ON/OFF(8 Zone)
Mirror / Flip	Reverse
Sharpness	On / Off selectable (Level adjustable)
ENVIRONMENTAL	
Operating Temperature	-20° to +60°C
Operating Humidity	10% to 80%
MECHANICAL	
IR Leds	24 IR Leds
Ingress Protection	N/A
Dimensions	Ø5.14 X 3.78(H) inch
Weight	Approx. 0.88 lb
ELECTRICAL	
Power Source	24V AC / 12V DC (±10%)
Power Consumption	Max. 450mA (at 12V DC)

Made in Korea